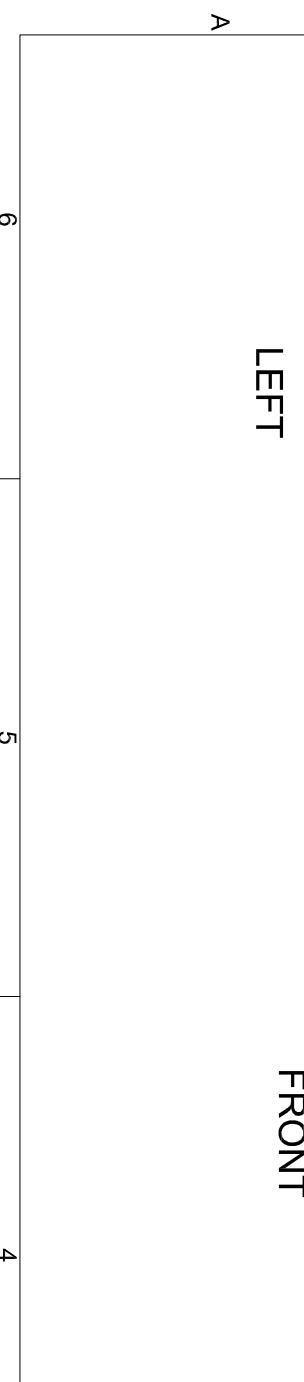
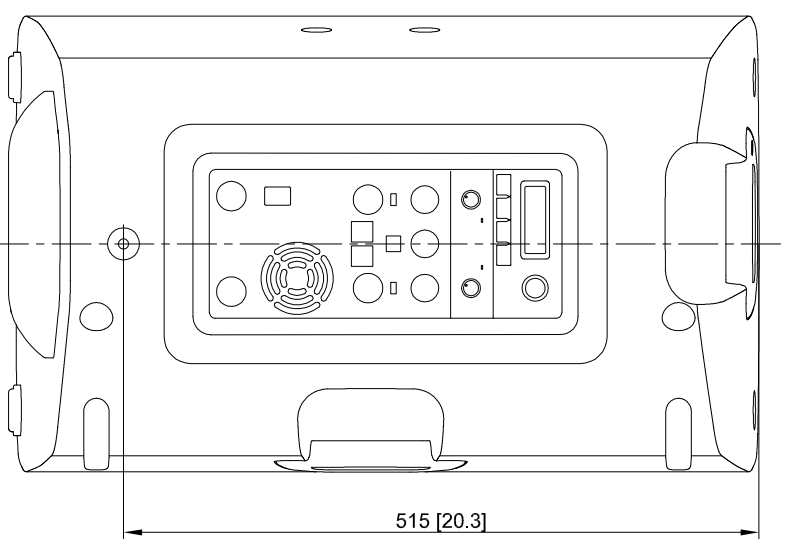
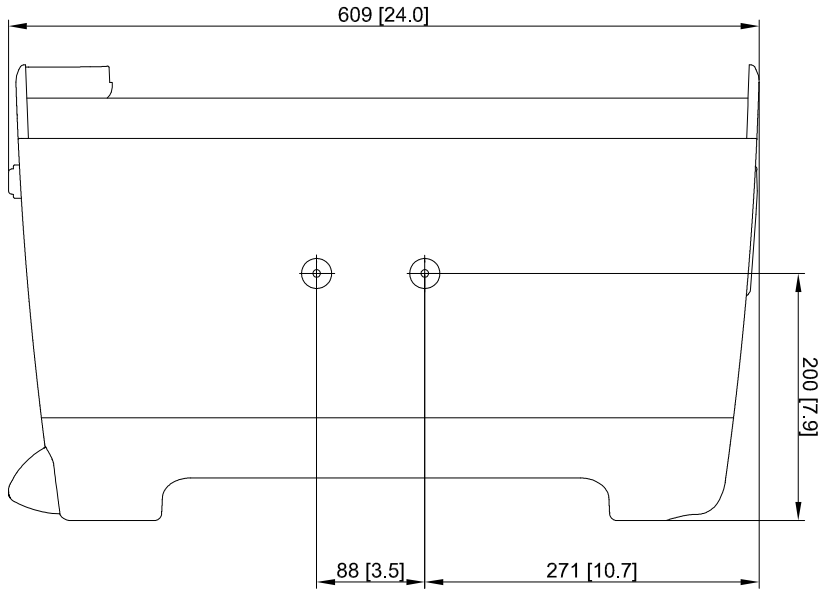
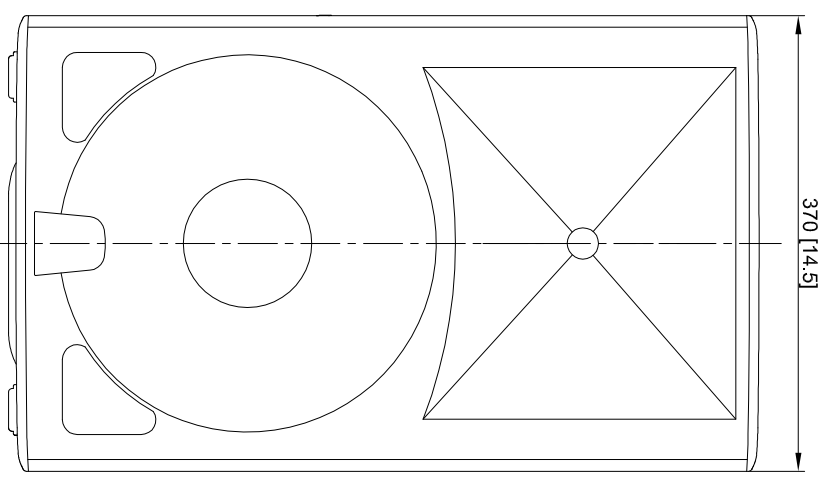
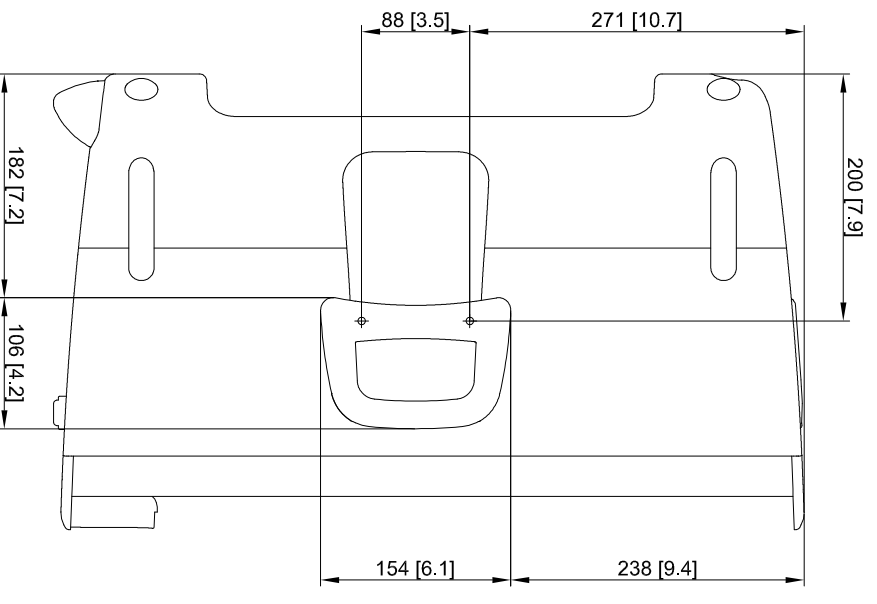
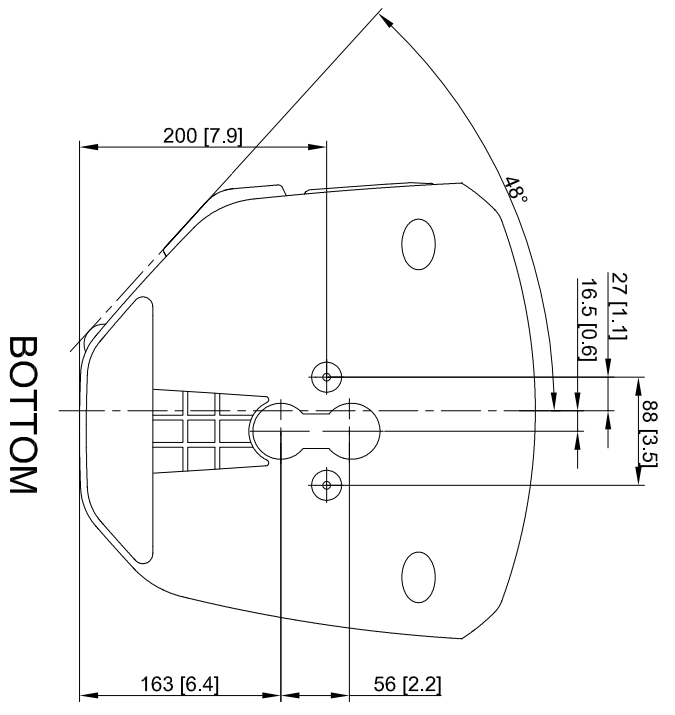
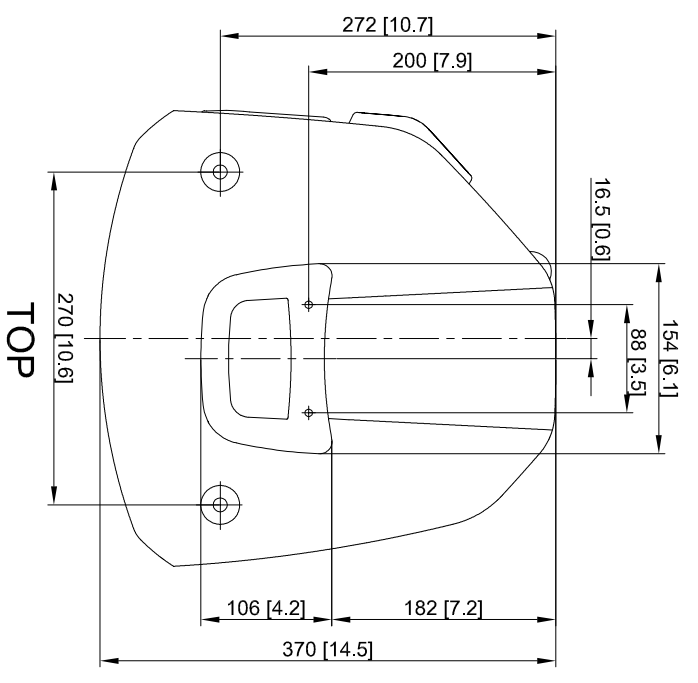


REVISION HISTORY		DATE	REVISED	APPROVED
REV	DESCRIPTION			
A0	DRAWING RELEASED	2014-10-23		



MUSIC GROUP

All information (including drawings and diagrams) contained in this document is the property of MUSIC GROUP LTD. Addresses whom the information is confined to shall maintain the information in confidence and shall not release it to any unauthorized third parties (except under attorney client privilege or under appropriate confidentiality agreements). Any unauthorized disclosure, use, application or any other dealings in the information shall result in civil and/or (where applicable) criminal liabilities and penalties.

PROJECT:	DRAWN:	DESCRIPTION:
MATERIAL:	CHECKED:	EXTERNAL DIMENSIONS IQ12
FINISH:	APPROVED:	SIZE: DRAWING NUMBER:
DATE: 2014-10-23		SCALE 1 : 1
		SHEET 1 OF 1
		REV: A